

複雑なエリア CCTVはシンプルに!

MULTIHUB CAMERA

1080p
FHD



S* LIGHT

MULTI-HUB CAMERA

- ▶ それぞれの3台のカメラを一つの接続!
- ▶ 広角映像と拡大画像を同時に提供!
- ▶ 様々なPIPと分割画面 MODEサポート!

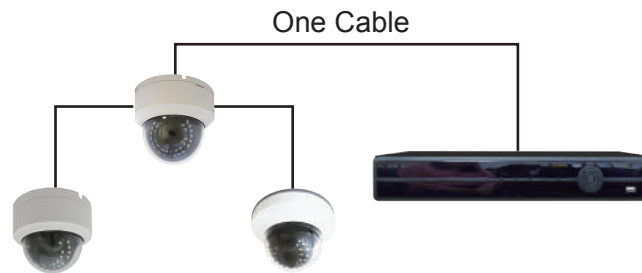
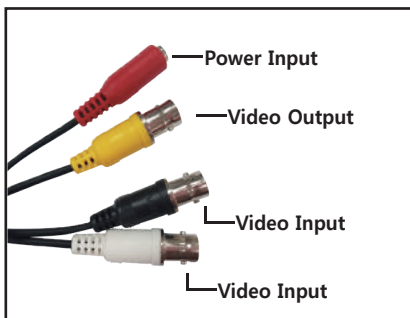
For Indoor

● HDMW-3123AHD



- ⊙ 2M CMOS Sensor x 1ea (External Input x 2)
- ⊙ 1080P@30fps
- ⊙ Analog HD (A-HD/TVI)
- ⊙ 30 IR LED
- ⊙ f=2.8-12mm Motorized (Auto Focus) Lens / f=3.6mm Fixed Lens
- ⊙ Defog Function (Visibility Enhancement)
- ⊙ 3D Digital Noise Reduction

● Examples of using a hub camera (HUB Camera + 2Camera)



● 3CH Split Screen

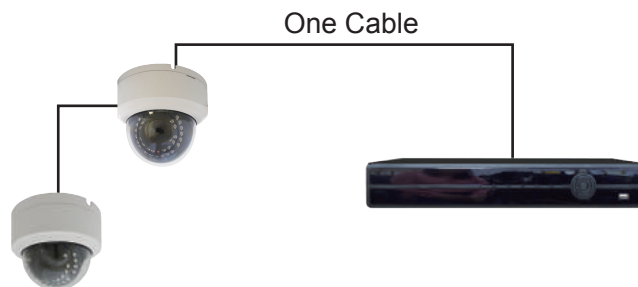
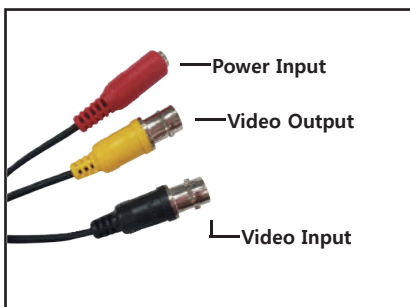


● HDMW-3122AHD

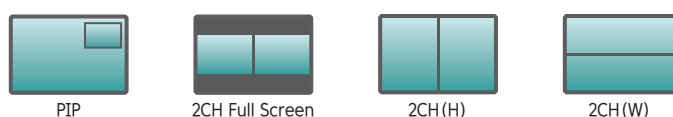


- ⊙ 2M CMOS Sensor x 1ea (External Input x 1)
- ⊙ 1080P@30fps
- ⊙ Analog HD (AHD/TVI)
- ⊙ 30 IR LED
- ⊙ f=2.8-12mm Motorized (Auto Focus) Lens / f=3.6mm Fixed Lens
- ⊙ Defog Function (Visibility Enhancement)
- ⊙ 3D Digital Noise Reduction

● Examples of using a hub Camera (HUB Camera + 1Camera)



● 2CH Split Screen



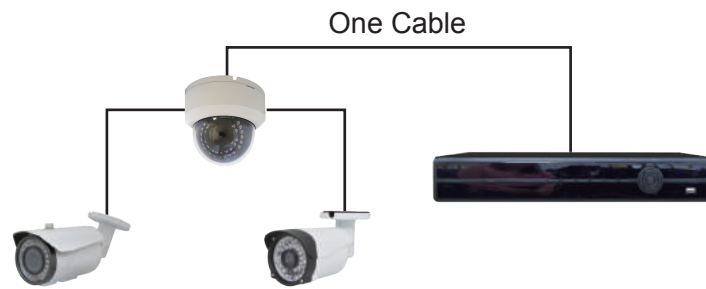
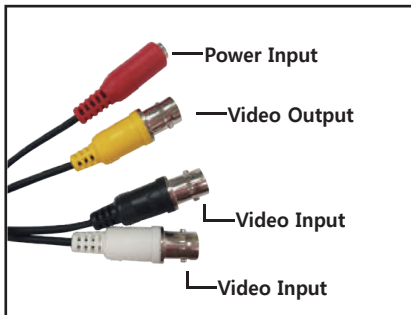
For Outdoor

● HVDMW-2123AHD

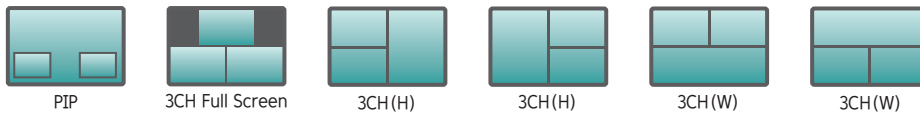


- ⊙ 2M CMOS Sensor x 1ea(External Input x 2)
- ⊙ 1080P@30fps
- ⊙ Analog HD (A-HD/TVI)
- ⊙ 31 IR LED
- ⊙ f=2.8-12mm Motorized (Auto Focus) Lens / f=3.6mm Fixed Lens
- ⊙ Defog Function (Visibility Enhancement)
- ⊙ 3D Digital Noise Reduction

● Examples of using a hub Camera (3Camera 3CH)



● 3CH Split Screen

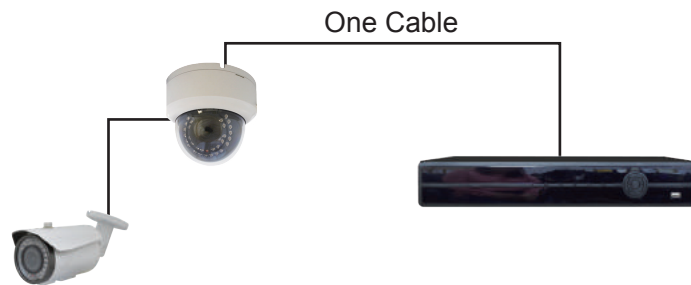
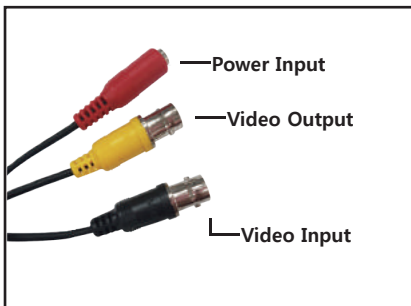


● HDMW-2122AHD



- ⊙ 2M CMOS Sensor x 1ea(External Input x 1)
- ⊙ 1080P@30fps
- ⊙ Analog HD (AHD/TVI)
- ⊙ 31 IR LED
- ⊙ f=2.8-12mm Motorized (Auto Focus) Lens / f=3.6mm Fixed Lens
- ⊙ Defog Function (Visibility Enhancement)
- ⊙ 3D Digital Noise Reduction

● Examples of using a hub Camera (2Camera 2CH)



● 2CH Split Screen



Specifications

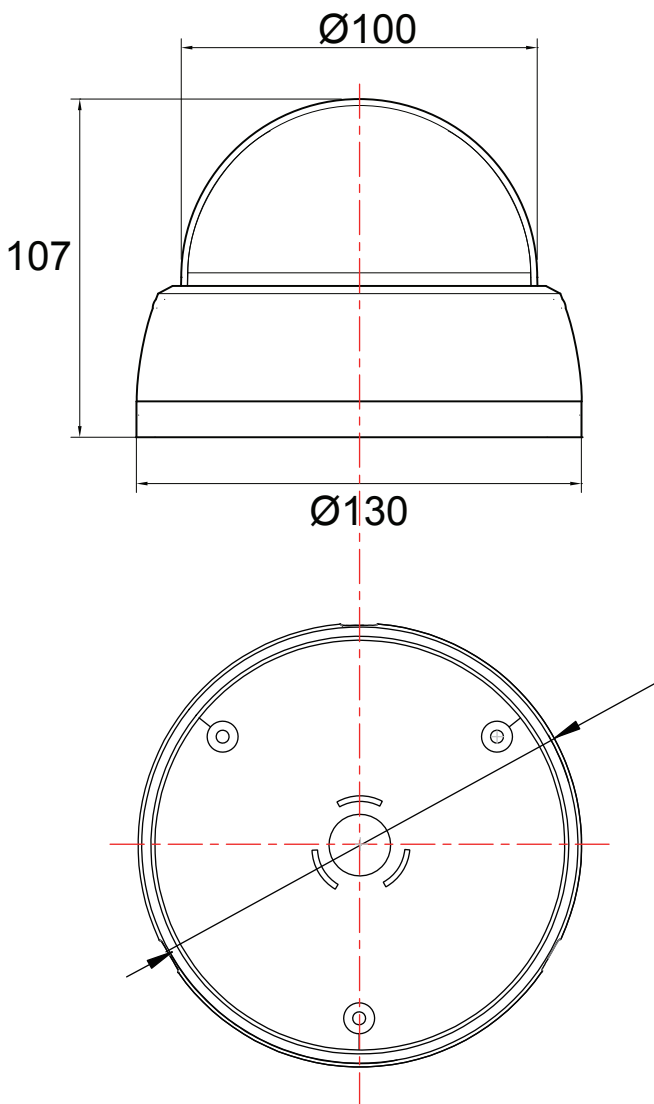
Image Device	1/2.9" SONY (IMX323)	(1/2.8" IMX291)			
Total Pixels	2001(H) x 1121(V)	1945(H) x 1109(V)			
Effective Pixels	1985(V) x 1105(V)	1945(V) x 1097(V)			
Scanning System	Progressive				
Resolution	1080p@30fps				
Min. Illumination	0.0 Lux @ (IR ON)				
Video Output	TVI or AHD (Option)				
White Balance	ATW/AWB/AWC->SET/INDOOR/OUTDOOR/MANUAL				
Shutter Speed	MANUAL/AUTO/FLK				
LENS	2.8-12mm Motorized (Auto Focus) Lens or f=3.6mm Fixed Lens				
On Screen Display	Built-In				
Display Mode	Full Screen, PIP, Split Screen mode available				
Video Adjustment	Brightness, Sharpness, Contrast				
Remote Control	Infrared Remote Controller				
Video Output Terminal	BNC Connector				
Power Input Terminal	Φ 5.5 Jack				
IR LED (Wavelength)	30 IR LEDs (850nm)				
Operating Temp./Storage Temp.	-10°C~+50°C(14°F~122°F) / -20°C~+60°C(-4°F~140°F)				
Humidity	Less than 80% RH				
Model No.	HDMW-3122AHD	HVDMW-2122AHD	HDMW-3123AHD	HVDMW-2123AHD	
Power Consumption	Motorized Lens	DC 12v 8.7W	DC 12v 8.7W	DC 12v 8.7W	DC 12v 8.7W
	Fixed Lens	DC 12v 8.1W	DC 12v 8.1W	DC 12v 8.1W	DC 12v 8.1W
Dimension(mm)	Φ130 × 107	Φ150.5 × 108	Φ130 × 107	Φ150.5 × 108	

Dimension

For INDOOR DOME



HDMW-3123AHD / HDMW-3122AHD



For OUTDOOR DOME (IP66)



HVDMW-2123AHD / HVDMW-2122AHD

