

# 24Hours Color Video Surveillance / Image Security Masking

Ex-Sdi Bullet Camera

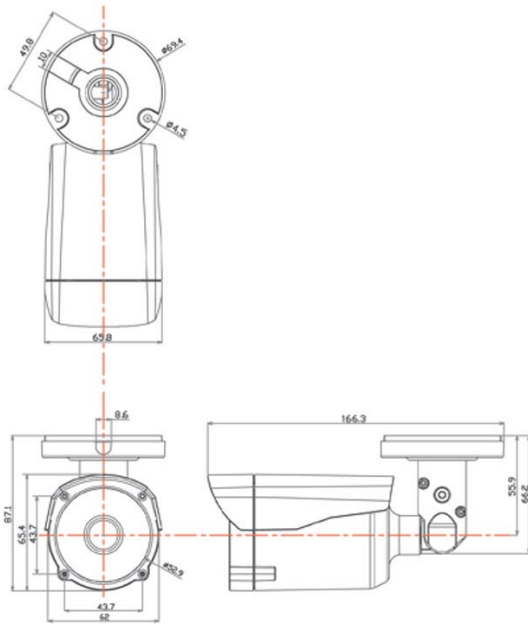
## SNED-B6221F



### ↓ Features

- 24Hours Color Video Surveillance
- 2M CMOS Sensor (Starvis)
- 1080P@30/25fps
- EX-SDI 2.0 (Output Distance: 500 ~ 600mm)  
/ EX-SDI 1.0 / HD-SDI
- 4.0mm Ultra Bright Lens  
(Option: 6.0mm Ultra Bright Lens)
- Defog Function (Visibility Enhancement)
- 3D Digital Noise Reduction
- Image Security Masking
- 1point joint: 3axis adjustment

### ↓ Dimension ※scale: NS (mm)



### ↓ Specifications

MODEL	SNED-B6221F
Image Device	1/2.8" SONY 2M CMOS (Starvis)
Total Pixels	1945(H) x 1109(V) approx. 2.16M pixels
Effective Pixels	1945(V) x 1097(V) approx. 2.13M pixels
Scanning System	Progressive
Resolution	1080P@30/25fps
S/N Ratio	More than 52dB(AGC OFF)
Min.Illumination	0.001 Lux @ (SENSE-UP)
Video Output	EX-SDI 2.0 (Output Distance: 500 ~ 600mm) / EX-SDI 1.0 / HD-SDI
Sync. System	Internal
Electronic Shutter	NTSC : 1/30~1/30,000sec, PAL : 1/25~1/25,600sec
Lens Type	4.0mm Ultra Bright Lens (Option: 6.0mm Ultra Bright Lens)
Iris	ELC, ALC
Exposure	BRIGHTNESS, SHUTTER, SENS-UP, AGC
Backlight	OFF, HLC, BLC, WDR
Day & Night	AUTO, COLOR, B&W
Color	AWB, COLOR GAIN
DNR	OFF, LOW, MIDDLE, HIGH
Image	SHARPNESS, GAMMA, MIRROR, FLIP, ACE, DEFOG, PRIVACY
Motion	OFF, ON
System	FRAME RATE, FREQ, EX-SDI, IMAGE RANGE, LANGUAGE, RESET
Language	ENG, CHN, CHN(S), JPN, KOR
Operating Temp. /Storage Temp.	-10°C ~ +50°C (14°F ~ 122°F) / -20°C ~ +60°C (-4°F ~ 140°F)
Humidity	Less than 80% RH
Dimension(mm)	166.3×87.1×65.8

### ↓ 1 point joint : 3axis adjustment

발명특허 (제 10-2130527호) : 3축 회전 브래킷



1 point joint (screw)

- 1) 고정 나사 1개를 풀어 카메라의 감시 방향을 3가지 축으로 자유롭게 조절할 수 있습니다.
- 2) 어느 방향으로든 조절할 수 있으며 누구나 쉽게 설치할 수 있습니다.