

24Hours Color Video Surveillance / Image Security Masking

A-HD Bullet Camera

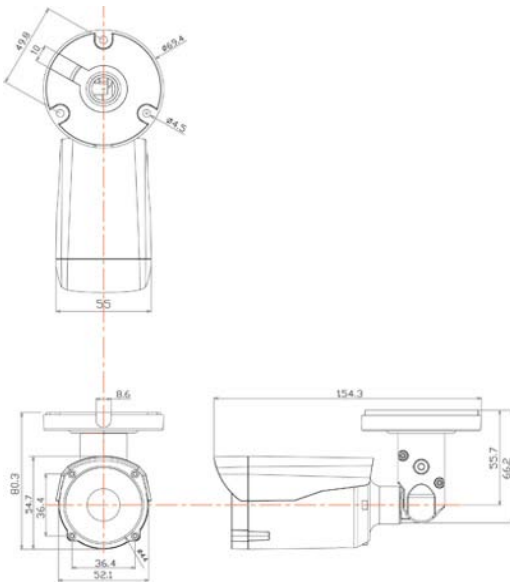
SNAH-B5521F



↓ Features

- 24Hours Color Video Surveillance
- 2M CMOS Sensor (Starvis)
- 1080P@30/25fps
- A-HD
- 4.0mm Ultra Bright Lens
(Option: 6.0mm Ultra Bright Lens)
- Defog Function (Visibility Enhancement)
- 3D Digital Noise Reduction
- Image Security Masking
- 1point joint : 3axis adjustment

↓ Dimension※scale: NS (mm)

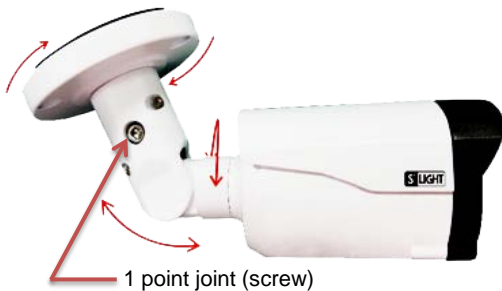


↓ Specifications

| MODEL | SNAH-B5521F |
|-----------------------------------|--|
| Image Device | 1/2.8" SONY 2M CMOS (Starvis) |
| Total Pixels | 1945(H) x 1109(V) approx. 2.16M pixels |
| Effective Pixels | 1945(V) x 1097(V) approx. 2.13M pixels |
| Scanning System | Progressive |
| Resolution | 1080P@30/25fps |
| S/N Ratio | More than 52dB(AGC OFF) |
| Min.Illumination | 0.001 Lux @ (SENSE-UP) |
| Video Output | A-HD |
| Electronic Shutter | NTSC : 1/30~1/30,000sec, PAL : 1/25~1/25,600sec |
| Lens Type | 4.0mm Ultra Bright Lens (Option: 6.0mm Ultra Bright Lens) |
| Iris | ELC, ALC |
| Exposure | BRIGHTNESS, SHUTTER, SENS-UP, AGC |
| Backlight | OFF, HLC, BLC, WDR |
| Day & Night | AUTO, COLOR, B&W |
| Color | AWB, COLOR GAIN |
| DNR | OFF, LOW, MIDDLE, HIGH |
| Image | SHARPNESS, GAMMA, MIRROR, FLIP, ACE, DEFOG, PRIVACY |
| Motion | OFF, ON |
| System | OUTPUT, FRAME RATE, FREQ, IMAGE RANGE, LANGUAGE, RESET |
| Language | ENG, CHN, CHN(S), JPN, KOR |
| Operating Temp. /Storage Temp. | -10°C~+50°C(14°F~122°F) / -20°C~+60°C(-4°F~140°F) |
| Humidity | Less than 80% RH |
| Dimension(mm) | 154.3×80.3 |

↓ 1 point joint : 3axis adjustment

발명특허 (제 10-2130527호) : 3축 회전 브래킷



- 1) 고정 나사 1개를 풀어 카메라의 감시 방향을 3가지 축으로 자유롭게 조절할 수 있습니다.
- 2) 어느 방향으로든 조절할 수 있으며 누구나 쉽게 설치할 수 있습니다.