

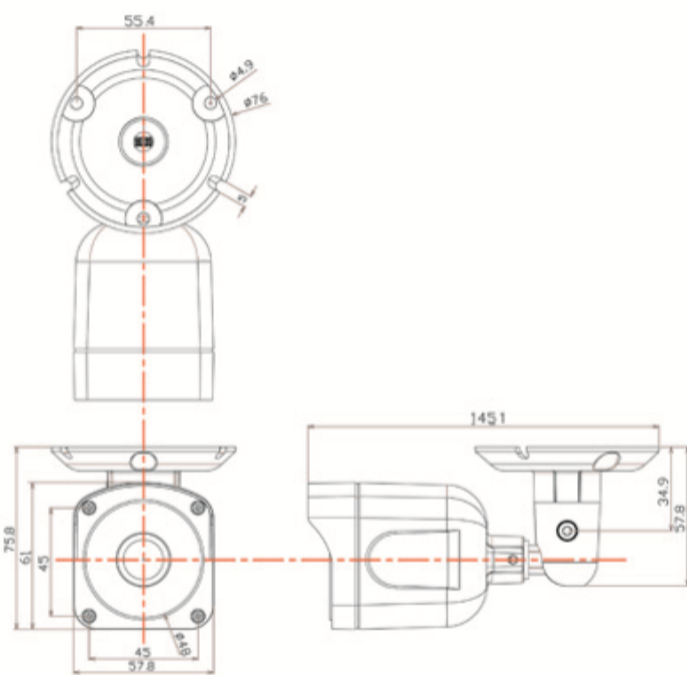
NIP323-SB21FIR



Features

- 2M CMOS Sensor
- Defog Function (Visibility Enhancement)
- 3.6mm Fixed Lens
- Low Power Consumption
- Fast Boot Time
- POE
- 24 IR LEDs
- Camera Operating Indicate LED
(Normal: Green, Low Power: Red, Power Down: Off)

Dimension ※ scale: NS (mm)



Specifications

MODEL	NIP323-SB21FIR
Image Device	1/2.9" SONY(IMX323) 2M CMOS
Total Pixels	2001(H) x 1121(V) approx
Effective Pixels	1985(V) x 1105(V) approx
Scanning System	Progressive
Resolution	1920x1080, 1280x720, 800x600, 704x480, 640x480
White Balance	Auto
Shutter Speed	Auto
Video Adjustment	WDNR, Contrast/Lens Shading, ACE, Brightness, Sharpness, Color Saturation, Gamma, IR Anti-Saturation, Defog
Min. Illumination	0 Lux
Sync. System	Internal
Lens Type	3.6mm Fixed Lens
Video Encoding	H.264 Dual or H.264/MJPEG (simultaneous dual stream)
	H.264/(true H.264 streaming)
	Simultaneous streaming with independent control
Resolution	Primary H.264: (Up to max 30fps) 1920x1080, 1280x720, 800x600, 640x480 (Up to max 60fps) 1280x720, 800x600, 704x480, 640x460 Secondary H.264: (Up to max 30fps) 640x480, 640x360, 320x240 Secondary MJPEG: (Up to max 10fps) 1920x1080 Only
Live Casting	Streaming video channels with full duplex live Up to max 30fps@ 2M or Up to max 60fps@ 1M
Video Management	H/W 4 motion Detection, 8 Privacy Masking
Bandwidth Management	Frame rate control / Bandwidth control / CBR / VBR
Security	Channel based user password protection for live-cast
Web interface	Live-cast, playback & search through Web browser
	Minimum PC requirement - Windows XP Pro (IE 6.x or later), Pentium4 (2Ghz, 2G RAM), Video Card(256MB RAM, 1024x768)
System Integration	[Protocol] HTTP, RTP/RTSP, TCP/IP, ARP, DHCP, NTP, SMTP, uPNP, ICMP
Installation & maintenance	Configuration by installation s/w, HTTP
	Upgrade firmware through HTTP, IP Installer
Client Software	Built-In Web, ONVIF Compatible 3rd Party VMS
Misc.	Transmit serial input data with video
	Quick Time & VLC media player compatible
System hardware	32bit Embedded CPU / Embedded RTOS / 64MByte SRAM / 16MByte Serial Flash
IR LED(Wavelength)	24 IR LEDs
Operating Temp. /Storage Temp.	-10°C~+50°C(14°F~122°F) / -20°C~+60°C(-4°F~140°F)
Humidity	Less than 80% RH
Power Consumption	DC12V±2V, Max. 1.5W / POE(IR LED ON : MAX. 3.8W)
Dimension(mm)	154×61×76