

AUTO FOCUS LENS

Image Security Masking

Hybrid (A-HD / TVI / CVI / EX-SDI 1.0) IR Bullet Camera

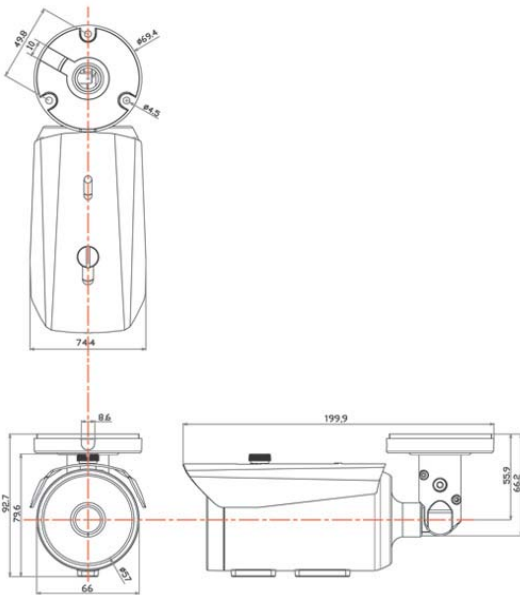
NHY-B7521AIR



Features

- 2M CMOS Sensor
- 1080P@30fps
- A-HD / TVI / CVI / EX-SDI 1.0
- 5.0-50mm Motorized (Auto Focus) F1.4 Lens
- 2.7-10mm Motorized (Auto Focus) F1.2 Lens (Option)
- Defog Function (Visibility Enhancement)
- 3D Digital Noise Reduction
- Image Security Masking
- 55 IR LEDs
- Camera Operating Indicate LED
(Normal: Green, Low Power : Red, Power Down: Off)
- 1point joint : 3axis adjustment

Dimension ※scale: NS (mm)

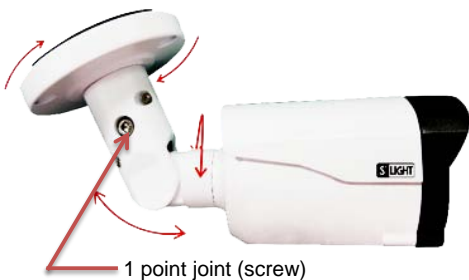


Specifications

MODEL	NHY-B7521AIR
Image Device	1/2.9" SONY 2M CMOS
Total Pixels	2001(H) x 1121(V) approx. 2.24M pixels
Effective Pixels	1985(V) x 1105(V) approx. 2.19M pixels
Resolution	1080P@30fps
S/N Ratio	More than 52dB(AGC OFF)
Min.Illumination	0.0 Lux @ (IR ON)
Video Output	A-HD / TVI / CVI / EX-SDI 1.0
Sync. System	Internal
Electronic Shutter	NTSC : 1/30~1/30,000sec, PAL : 1/25~1/25,600sec
Lens Type	5.0-50mm Motorized (Auto Focus) F1.4 Lens 2.7-10mm Motorized (Auto Focus) F1.2 Lens (Option)
Iris	ELC, ALC
2Motor	AF MODE, SCANNING, ONEPUSHAF, SYNC TDN
Exposure	BRIGHTNESS, SHUTTER, SENS-UP, AGC
Backlight	OFF, HLC, BLC, WDR
Day & Night	AUTO, COLOR, B&W, EXTERN
Color	AWB, COLOR GAIN
DNR	OFF, LOW, MIDDLE, HIGH
Image	SHARPNESS, GAMMA, MIRROR, FLIP, ACE, DEFOG, PRIVACY
Motion	OFF, ON
System	OUTPUT, FRAME RATE, FREQ, IMAGE RANGE, LANGUAGE, RESET
Language	ENG, CHN, CHN(S), JPN, KOR
IR LED(Wavelength)	55 IR LEDs (850nm)
Operating Temp. /Storage Temp.	-10°C~+50°C(14°F~122°F) / -20°C~+60°C(-4°F~140°F)
Humidity	Less than 80% RH
Power Consumption	DC12V(±10%), MAX. mA
Dimension(mm)	199.9×92.7

1 point joint : 3axis adjustment

발명특허 (제 10-2130527호)



- 고정 나사 1개를 풀어 카메라의 감시 방향을 3가지 축으로 자유롭게 조절할 수 있습니다.
- 어느 방향으로든 조절할 수 있으며 누구나 쉽게 설치할 수 있습니다.

Dip Switch

