

# AUTO FOCUS LENS

## Image Security Masking

Analog-HD IR Outdoor Housing Camera

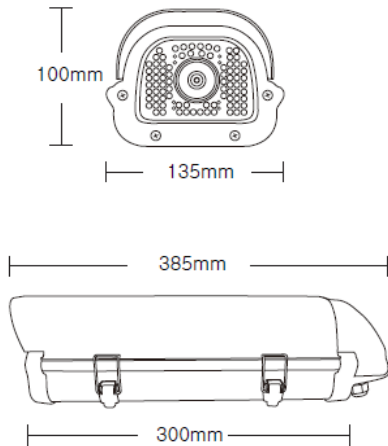
### SNAH-H2023AIR



#### ↓ Features

- 2M CMOS Sensor (Starvis)
- 1080P@30/25fps
- Analog-HD
- 2.7~12mm Motorized (Auto Focus) Lens
- 2.8~12mm Motorized (Auto Focus) Lens (Option)
- 5.0-50mm Motorized (Auto Focus) Lens (Option)
- Defog Function (Visibility Enhancement)
- 3D Digital Noise Reduction
- 84 IR LEDs

#### ↓ Dimension ※scale : NS (mm)



#### ↓ Specifications

MODEL	SNAH-H2023AIR
Image Device	1/2.8" SONY 2M CMOS (Starvis)
Total Pixels	1945(H) x 1109(V) approx. 2.16M pixels
Effective Pixels	1945(V) x 1097(V) approx. 2.13M pixels
Scanning System	Progressive
Resolution	1080P@30fps
S/N Ratio	More than 52dB(AGC OFF)
Min.Illumination	0.0 Lux @ (IR ON)
Video Output	Analog-HD
Electronic Shutter	NTSC : 1/30~1/30,000sec, PAL : 1/25~1/25,600sec
Lens Type	2.7~12mm Motorized (Auto Focus) Lens / 2.8~12mm Motorized (Auto Focus) Lens (Option) / 5.0-50mm Motorized (Auto Focus) Lens (Option)
Iris	ELC, ALC
2Motor	AF MODE, SCANNING, ONEPUSH AF, SYNC TDN, INITIAL
Exposure	BRIGHTNESS, SHUTTER, SENS-UP, AGC
Backlight	OFF, HLC, BLC, WDR
Day & Night	AUTO, COLOR, B&W, EXTERN
Color	AWB, COLOR GAIN
DNR	OFF, LOW, MIDDLE, HIGH
Image	SHARPNESS, GAMMA, MIRROR, FLIP, ACE, DEFOG, PRIVACY
Motion	OFF, ON
System	OUTPUT, FRAME RATE, FREQ, IMAGE RANGE, LANGUAGE, RESET
Language	ENG, CHN, CHN(S), JPN, KOR
IR LED(Wavelength)	84 IR LEDs(850nm)
Operating Temp. /Storage Temp.	-10°C~+50°C(14°F~122°F) / -20°C~+60°C(-4°F~140°F)
Humidity	Less than 80% RH
Dimension(mm)	135 x 100 x 300