

Smart Auto Tracking / Image Security Masking

Ex-Sdi IR Dome Camera

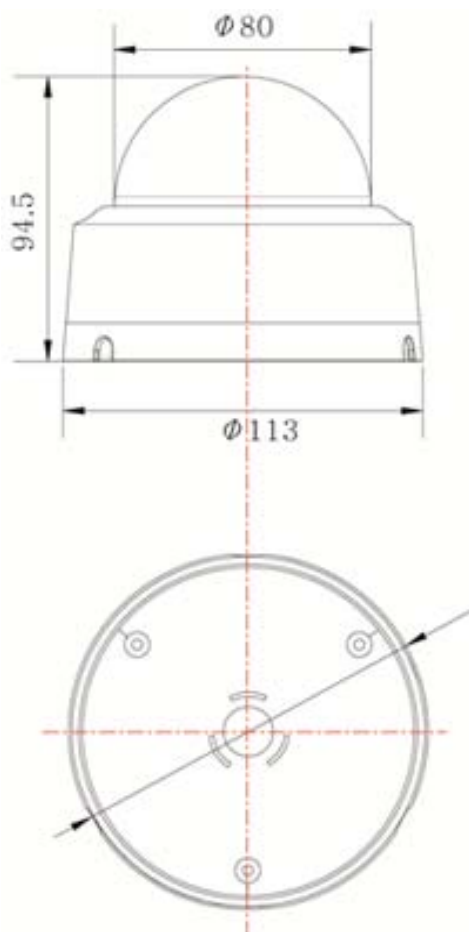
SNED-D8125FIR



Features

- 2M CMOS Sensor (Starvis)
- 1080P@30/25fps
- EX-SDI
- 3.6mm Fixed Lens
- Defog Function (Visibility Enhancement)
- 3D Digital Noise Reduction
- Smart Auto Tracking (SAT)
- Image Security Masking
- 23 IR LEDs
- Camera Operating Indica LED
(Normal: Green, Error: Red, Power Off: Led Off)

Dimension ※scale : NS (mm)



Specifications

| MODEL | SNED-D8125FIR |
|--------------------------------|--|
| Image Device | 1/2.8" SONY 2M CMOS (Starvis) |
| Total Pixels | 1945(H) x 1109(V) approx. 2.16M pixels |
| Effective Pixels | 1945(V) x 1097(V) approx. 2.13M pixels |
| Scanning System | Progressive |
| Resolution | 1080P@30/25fps |
| S/N Ratio | More than 52dB(AGC OFF) |
| Min.Illumination | 0.0 Lux @ (IR ON) |
| Video Output | EX-SDI |
| Sync. System | Internal |
| Electronic Shutter | NTSC : 1/30~1/30,000sec, PAL : 1/25~1/25,600sec |
| Lens Type | 3.6mm Fixed Lens |
| Iris | ELC, ALC |
| Exposure | BRIGHTNESS, SHUTTER, SENS-UP, AGC |
| Backlight | OFF, HLC, BLC, WDR |
| Day & Night | AUTO, COLOR, B&W, EXTERN |
| Color | AWB, COLOR GAIN |
| DNR | OFF, LOW, MIDDLE, HIGH |
| Image | SHARPNESS, GAMMA, MIRROR, FLIP, D-ZOOM, ACE, DEFOG, SHADING, PRIVACY |
| SAT (Smart Auto Tracking) | OFF, ON |
| System | OUTPUT, IMAGE RANGE, LANGUAGE, RESET |
| Language | ENG, CHN, CHN(S), JPN, KOR |
| IR LED(Wavelength) | 23 IR LEDs(850nm) |
| Operating Temp. /Storage Temp. | -10°C~+50°C(14°F~122°F) / -20°C~+60°C(-4°F~140°F) |
| Humidity | Less than 80% RH |
| Dimension(mm) | Ø113x94.5 |