

Flame Detect/Auto Focus Lens/ Image Security Masking/48V PoC(Optional)

Ex-Sdi IR Dome Camera

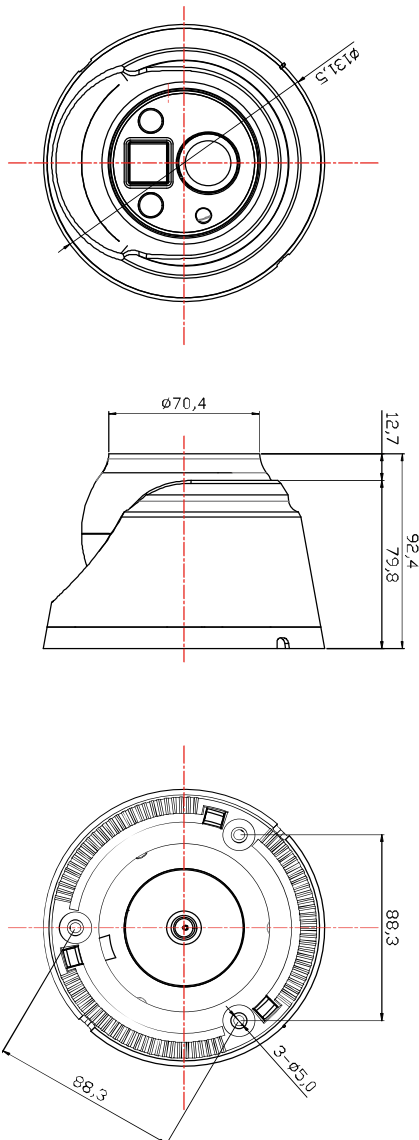
SNED-V9521AIR-F



↓ Features

- 2M CMOS Sensor (Starvis)
- 1080P@30fps
- EX-SDI & HD-SDI
- 2.8-12mm Motorized(Auto Focus) Lens
(Option: 2.7-12mm Motorized(Auto Focus) Lens)
- Defog Function (Visibility Enhancement)
- 3D Digital Noise Reduction
- Application of Flame Detection Sensor
(Sensing Distance: 7m /10m(Default) /15m /25m /30m /35m)
- Image Security Masking
- 2 IR LEDs
- 48V PoC(Optional)

↓ Dimension



↓ Specifications

MODEL	SNED-V9521AIR-F
Image Device	1/2.8" SONY 2M CMOS (Starvis)
Total Pixels	1945(H) x 1109(V) approx. 2.16M pixels
Effective Pixels	1945(V) x 1097(V) approx. 2.13M pixels
Scanning System	Progressive
Resolution	1080P@30fps
S/N Ratio	More than 52dB(AGC OFF)
Min.Illumination	0.0 Lux @ (IR ON)
Video Output	HD-SDI / EX-SDI
Sync. System	Internal
Electronic Shutter	NTSC : 1/30~1/30,000sec, PAL : 1/25~1/25,600sec
Lens Type	2.8-12mm Motorized(Auto Focus) Lens (Option: 2.7-12mm Motorized(Auto Focus) Lens)
Iris	ELC, ALC
2MOTOR	AF MODE, SCANNING, ONEPUSHAF, SYNC TDN, INITIAL
Exposure	BRIGHTNESS, SHUTTER, SENS-UP, AGC
Backlight	OFF, HLC, BLC, WDR
Day & Night	AUTO, COLOR, B&W
Color	AWB, COLOR GAIN
3D-DNR	OFF, LOW, MIDDLE, HIGH
Image	SHARPNESS, GAMMA, MIRROR, FLIP, ACE, DEFOG PRIVACY
Motion	OFF, ON
System	FLAME DET., FRAME RATE, FREQ, EXSDI, IMAGE RANGE, LANGUAGE, RESET
Language	ENG, CHN, CHN(S), JPN, KOR
IR LED(Wavelength)	2 IR LEDs (850nm)
Operating Temp. /Storage Temp.	-10°C~+50°C(14°F~122°F) / -20°C~+60°C(-4°F~140°F)
Humidity	Less than 80% RH
Power Consumption	PoC 48V / DC12V(±10%), MAX. 693mA
Dimension(mm)	Φ131.5×92.4