

Temperature & Humidity Image Security Masking

A-HD IR Dome Camera



SNAH-D8025FIR-T



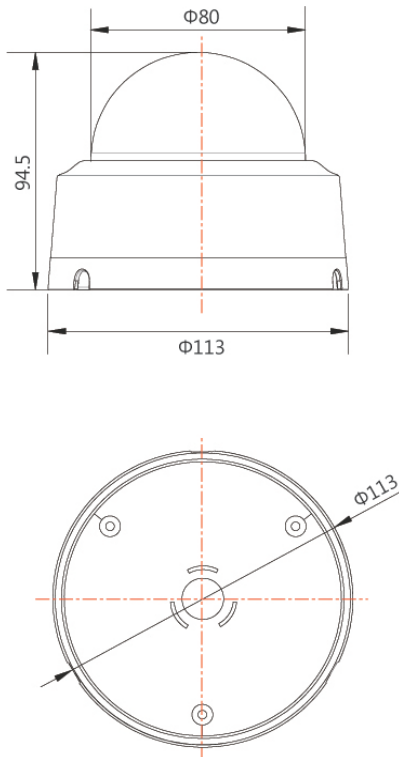
[TEMP&HUMI SENSOR]

- When a temperature or humidity event occurs
 - Display screen text
 - DVR and camera buzzer

Features

- 2M CMOS Sensor (Starvis)
- 1080P@30/25fps
- A-HD / TVI / CVI
- 3.6mm Fixed Lens
- Defog Function (Visibility Enhancement)
- 3D Digital Noise Reduction
- Application of Temperature&Humidity Sensor (Temperature: Max.80℃ / Humidity: Max.99%)
- Image Security Masking
- 23 IR LEDs
- Camera Operating Indicate LED (Normal: Green, Low Power: Red, Power Down: Off)

Dimension



Specifications

Model	SNAH-D8025FIR-T
Image Device	1/2.8" SONY 2M CMOS (Starvis)
Total Pixels	1945(H) x 1109(V) approx. 2.16M pixels
Effective Pixels	1945(V) x 1097(V) approx. 2.13M pixels
Scanning System	Progressive
Resolution	1080P@30/25fps
S/N Ratio	More than 52dB(AGC OFF)
Min. Illumination	0.0 Lux @ (IR ON)
Video Output	A-HD / TVI / CVI
Electronic Shutter	NTSC : 1/30~1/30,000sec, PAL : 1/25~1/25,600sec
Lens Type	3.6mm Fixed Lens
Iris	ELC, ALC
Exposure	BRIGHTNESS, SHUTTER, SENS-UP, AGC
Backlight	OFF, HLC, BLC, WDR
Day & Night	AUTO, COLOR, B&W, EXTERN
Color	AWB, COLOR GAIN
DNR	OFF, LOW, MIDDLE, HIGH
Image	SHARPNESS, GAMMA, MIRROR, FLIP, ACE, DEFOG, PRIVACY
Motion	OFF, ON
System	OUTPUT, TEMP&HUMI, FRAME RATE, FREQ, IMAGE RAGE, LANGUAGE, RESET
Language	ENG, CHN, CHN(S), JPN, KOR
IR LED(Wavelength)	23 IR LEDs (850nm)
Operating Temp. / Storage Temp.	-10℃~+50℃(14°F~122°F) / -20℃~+60℃(-4°F~140°F)
Humidity	Less than 80% RH
Power Consumption	DC12V(±10%), MAX. 341mA
Dimension(mm)	Φ113×94.5

OSD

TEMPERATURE(ex)	HUMIDITY(ex)
MAXIMUM __ 40℃	MAXIMUM __ 70%
CURRENT __ 25.00℃	CURRENT __ 50.00%
MINIMUM __ 20℃	MINIMUM __ 40%

DISPLAY

(Temp.)℃ / (Humidity)%
고(저)온도경고 고(저)습도경고