

Temperature & Humidity Image Security Masking / 48V PoC

EX-SDI PoC IR Dome Camera

NEP-D8045FIR-T



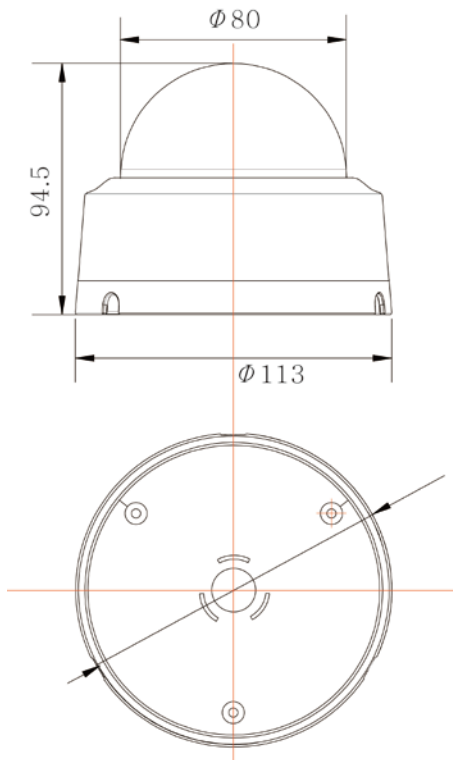
[TEMP&HUMI SENSOR]

- When a temperature or humidity event occurs
 - DVR signal transmission
 - Display screen text
 - DVR and camera buzzer

Features

- 5M CMOS Sensor
- 1944p@20fps, 1440p@30/25fps, 1080p@30/25fps
- EX-SDI
- 3.6mm Fixed Lens
- Defog Function (Visibility Enhancement)
- 3D Digital Noise Reduction
- Application of Temperature&Humidity Sensor (Temperature: Max.80℃ / Humidity: Max.99%)
- Image Security Masking
- 23 IR LEDs
- Camera Operating Indicate LED (Normal: Green, Low Power: Red, Power Down: Off)
- 48V PoC

Dimension



Specifications

Model	NEP-D8045FIR-T
Image Device	1/2.8" SONY 5M CMOS
Total Pixels	2704(H) x 2104(V) 2ellows. 5.69M pixels
Effective Pixels	2616(H) x 1964(V) 2ellows. 5.14M pixels
Scanning System	Progressive
Resolution	1944p@20fps, 1440p@30/25fps, 1080p@30/25fps
S/N Ratio	More than 52dB(AGC OFF)
Min. Illumination	0.0 Lux @ (IR ON)
Video Output	EX-SDI
Electronic Shutter	NTSC : 1/30~1/30,000sec, PAL : 1/25~1/25,600sec
Lens Type	3.6mm Fixed Lens
Iris	ELC, ALC
Exposure	BRIGHTNESS, SHUTTER, SENS-UP, AGC
Backlight	OFF, HLC, BLC, WDR
Day & Night	AUTO, COLOR, B&W, EXTERN
Color	AWB, COLOR GAIN
DNR	OFF, LOW, MIDDLE, HIGH
Image	SHARPNESS, GAMMA, MIRROR, FLIP, D-ZOOM, ACE, DEFOG, SHADING, PRIVACY
Motion	OFF, ON
System	OUTPUT, TEMP&HUMI, IMAGE RAGE, LANGUAGE, RESET
Language	ENG, CHN, CHN(S), JPN, KOR
IR LED(Wavelength)	23 IR LEDs (850nm)
Operating Temp. / Storage Temp.	-10℃~+50℃(14°F~122°F) / -20℃~+60℃(-4°F~140°F)
Humidity	Less than 80% RH
Power Consumption	PoC 48V / DC12V(±10%), MAX. 341mA
Dimension(mm)	Φ113×94.5

OSD

TEMPERATURE(ex)
 MAXIMUM ___ 40℃
 CURRENT ___ 25.00℃
 MINIMUM ___ 20℃

HUMIDITY(ex)
 MAXIMUM ___ 70%
 CURRENT ___ 50.00%
 MINIMUM ___ 40%

DISPLAY

(Temp.)℃ / (Humidity)%

고(저)온도 경고
 고(저)습도 경고