

Temperature & Humidity / Auto Focus Lens / Image Security Masking

A-HD IR Dome Camera

NAH-D1043AIR-T



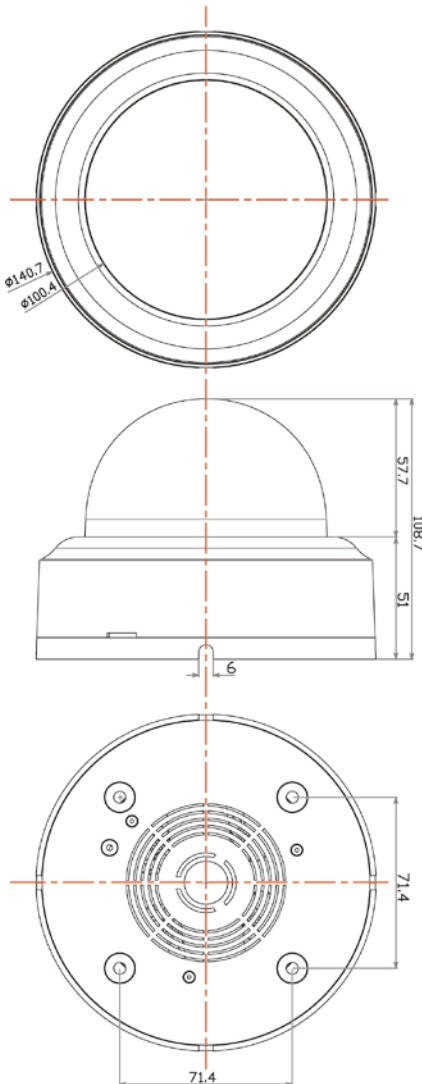
[TEMP&HUMI SENSOR]

- When a temperature or humidity event occurs
 - Display screen text
 - DVR and camera buzzer

Features

- 5M CMOS Sensor
- 1440p@30/25fps / 1080p@30/25fps
- A-HD / TVI / CVI
- 2.7-12mm Motorized (Auto Focus) F1.4 Lens
- 2.8-12mm Motorized(Auto Focus) F1.4 Lens (Option)
- Defog Function (Visibility Enhancement)
- 3D Digital Noise Reduction
- Application of Temperature&Humidity Sensor (Temperature: Max.80°C / Humidity: Max.99%)
- Image Security Masking
- 30 IR LEDs

Dimension



Specifications

Model	NAH-D1043AIR-T
Image Device	1/2.8" SONY 5M CMOS
Total Pixels	2704(H) x 2104(V) 2ellows. 5.69M pixels
Effective Pixels	2616(H) x 1964(V) 2ellows. 5.14M pixels
Scanning System	Progressive
Resolution	1440p@30/25fps, 1080p@30/25fps
S/N Ratio	More than 52dB(AGC OFF)
Min. Illumination	0.0 Lux @ (IR ON)
Video Output	A-HD / TVI / CVI
Electronic Shutter	NTSC : 1/30~1/30,000sec, PAL : 1/25~1/25,600sec
Lens Type	2.7-12mm Motorized (Auto Focus) F1.4 Lens / 2.8-12mm Motorized(Auto Focus) F1.4 Lens (Option)
Iris	ELC, ALC
Motorized	AF MODE, D&N FILTER, INITIAL
Exposure	BRIGHTNESS, SHUTTER, SENS-UP, AGC
Backlight	OFF, HLC, BLC, WDR
Day & Night	AUTO, COLOR, B&W, EXTERN
Color	AWB, COLOR GAIN
DNR	OFF, LOW, MIDDLE, HIGH
Image	SHARPNESS, GAMMA, MIRROR, FLIP, D-ZOOM, ACE, DEFOG, SHADING, PRIVACY
Motion	OFF, ON
System	OUTPUT, TEMP&HUMI, IMAGE RAGE, LANGUAGE, RESET
Language	ENG, CHN, CHN(S), JPN, KOR
IR LED(Wavelength)	30 IR LEDs (850nm)
Operating Temp. / Storage Temp.	-10°C~+50°C(14°F~122°F) / -20°C~+60°C(-4°F~140°F)
Humidity	Less than 80% RH
Power Consumption	DC12V(±10%), MAX. 600mA
Dimension(mm)	Φ140.7×108.7

OSD

TEMPERATURE(ex)

MAXIMUM __ 40°C
CURRENT __ 25.00°C
MINIMUM __ 20°C

HUMIDITY(ex)

MAXIMUM __ 70%
CURRENT __ 50.00%
MINIMUM __ 40%

DISPLAY

(Temp.)°C / (Humidity)%

고(저)온도경고
고(저)습도경고