

Temperature & Humidity / Auto Focus Lens / Image Security Masking

A-HD IR Bullet Camera

NAH-B6643AIR-T



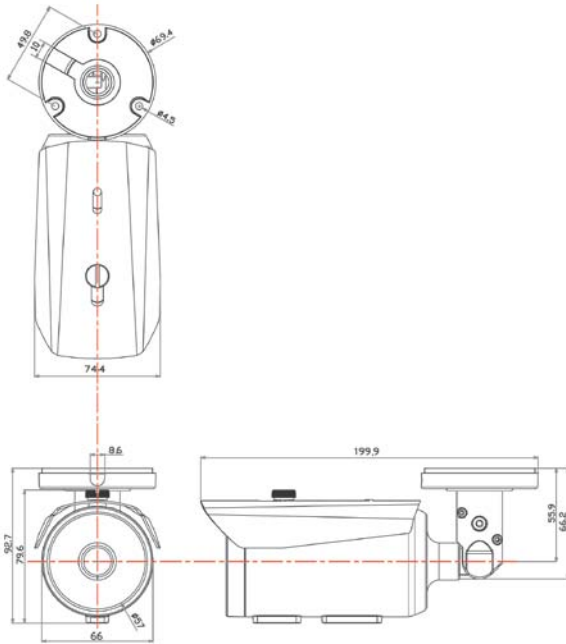
[TEMP&HUMI SENSOR]

- 온도 또는 습도 이벤트가 발생하는 경우
 - 화면에 텍스트 표시
 - 부저 알림음

Features

- 5M CMOS Sensor
- 1440p@30/25fps / 1080p@30/25fps
- A-HD / TVI / CVI
- 2.7-12mm Motorized (Auto Focus) F1.4 Lens
- 2.8-12mm Motorized(Auto Focus) F1.4 Lens (Option)
- Defog Function (Visibility Enhancement)
- 3D Digital Noise Reduction
- Image Security Masking
- Application of Temperature&Humidity Sensor (Temperature: Max.80℃ / Humidity: Max.99%)
- 32 IR LED
- Camera Operating Indicate LED (Normal: Green, Low Power: Red, Power Down: Off)
- 1 point joint : 3axis adjustment

Dimension ※scale: NS (mm)



Specifications

MODEL	NAH-B6643AIR-T
Image Device	1/2.8" SONY 5M CMOS
Total Pixels	2704(H) x 2104(V) 2ellows. 5.69M pixels
Effective Pixels	2616(H) x 1964(V) 2ellows. 5.14M pixels
Scanning System	Progressive
Resolution	1440p@30/25fps, 1080p@30/25fps
S/N Ratio	More than 52dB(AGC OFF)
Min.Illumination	0.0 Lux @ (IR ON)
Video Output	A-HD / TVI / CVI
Electronic Shutter	NTSC : 1/30~1/30,000sec, PAL : 1/25~1/25,600sec
Lens Type	2.7-12mm Motorized (Auto Focus) F1.4 Lens / 2.8-12mm Motorized(Auto Focus) F1.4 Lens (Option)
Iris	ELC, ALC
Moterized	AF MODE, D&N FILTER, INITIAL
Exposure	BRIGHTNESS, SHUTTER, SENS-UP, AGC
Backlight	OFF, HLC, BLC, WDR
Day & Night	AUTO, COLOR, B&W, EXTERN
Color	AWB, COLOR GAIN
DNR	OFF, LOW, MIDDLE, HIGH
Image	SHARPNESS, GAMMA, MIRROR, FLIP, D-ZOOM, ACE, DEFOG, SHADING, PRIVACY
Motion	OFF, ON
System	OUTPUT, TEMP&HUMI, IMAGE RAGE, LANGUAGE, RESET
Language	ENG, CHN, CHN(S), JPN, KOR
IR LED(Wavelength)	32 IR LEDs (850nm)
Operating Temp. /Storage Temp.	-10℃~+50℃(14°F~122°F) / -20℃~+60℃(-4°F~140°F)
Humidity	Less than 80% RH
Dimension(mm)	199.9x92.7

1 point joint : 3axis adjustment

발명특허 (제 10-2130527호) : 3축 회전 브래킷



- 고정 나사 1개를 풀어 카메라의 감시 방향을 3가지 축으로 자유롭게 조절할 수 있습니다.
- 어느 방향으로든 조절할 수 있으며 누구나 쉽게 설치할 수 있습니다.

OSD

TEMPERATURE(ex)

MAXIMUM __ 40℃
CURRENT __ 25.00℃
MINIMUM __ 20℃

HUMIDITY(ex)

MAXIMUM __ 70%
CURRENT __ 50.00%
MINIMUM __ 40%

DISPLAY

(Temp.)℃ / (Humidity)%

고(저) 온도 경고
고(저) 습도 경고