

# Smart Auto Tracking / Image Security Masking / 48V PoC

## 4M Ex-Sdi PoC IR Vandalproof Dome Camera

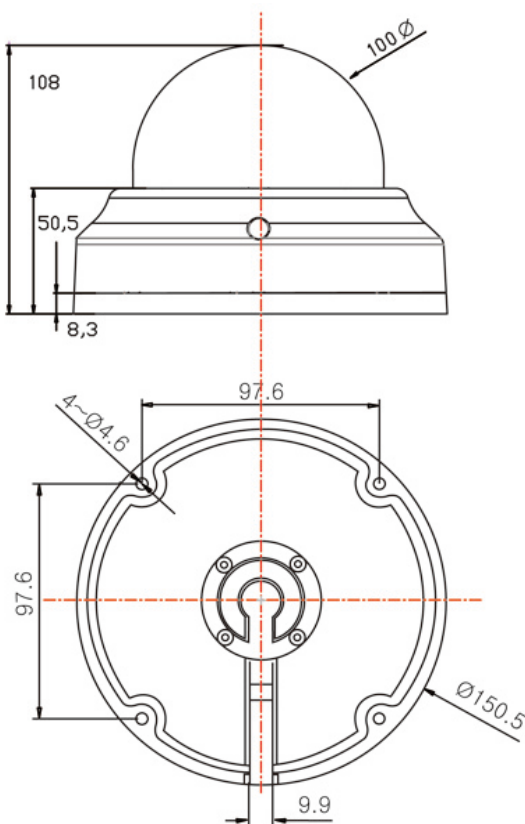
### SNEP-V1043VIR



#### Features

- 5M CMOS Sensor (Starvis)
- 1944@20fps, 1440p@30/25fps, 1080p@30/25fps
- EX-SDI
- 2.8-12mm DC-IRIS Varifocal (Manual) F1.4 Lens
- Defog Function (Visibility Enhancement)
- 3D Digital Noise Reduction
- Smart Auto Tracking (SAT)
- Image Security Masking
- 48V PoC
- 31 IR LEDs
- Camera Operating Indicate LED  
(Normal: Green, Low Power: Red, Power Down: Off)

#### Dimension ※scale: NS (mm)



#### Specifications

MODEL	SNEP-V1043VIR
Image Device	1/2.8" SONY 5M CMOS Sensor (Starvis)
Total Pixels	2704(H) x 2104(V) 2ellows. 5.69M pixels
Effective Pixels	2616(H) x 1964(V) 2ellows. 5.14M pixels
Scanning System	Progressive
Resolution	1944@20fps, 1440p@30/25fps, 1080p@30/25fps
S/N Ratio	More than 52dB(AGC OFF)
Min.Illumination	0.0 Lux @ (IR ON)
Video Output	EX-SDI
Electronic Shutter	NTSC : 1/30~1/30,000sec, PAL : 1/25~1/25,600sec
Lens Type	2.8-12mm DC-IRIS Varifocal (Manual) F1.4 Lens
Iris	ELC, ALC
Exposure	BRIGHTNESS, SHUTTER, SENS-UP, AGC
Backlight	OFF, HLC, BLC, WDR
Day & Night	AUTO, COLOR, B&W, EXTERN
Color	AWB, COLOR GAIN
DNR	OFF, LOW, MIDDLE, HIGH
Image	SHARPNESS, GAMMA, MIRROR, FLIP, D-ZOOM, ACE, DEFOG, SHADING, PRIVACY DEFOG, SHADING, PRIVACY
SAT (Smart Auto Tracking)	OFF, ON
System	OUTPUT, IMAGE RANGE, LANGUAGE, RESET
Language	ENG, CHN, CHN(S), JPN, KOR
IR LED(Wavelength)	31 IR LEDs (850nm)
Operating Temp. /Storage Temp.	-10°C~+50°C(14°F~122°F) / -20°C~+60°C(-4°F~140°F)
Humidity	Less than 80% RH
Dimension(mm)	Ø150.5x108