

AHD IR Bullet Camera

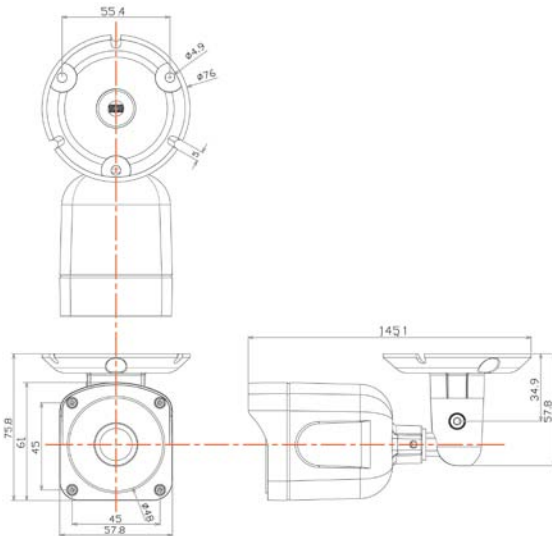
NAH-SB21FIR



Features

- 2M CMOS Sensor
- 1080P @30/25fps
- AHD / TVI
- 3.6mm Fixed Lens
- 2.8mm Fixed Lens (Option)
- Defog Function (Visibility Enhancement)
- 3D Digital Noise Reduction
- 24 IR LEDs
- Camera Operating Indication LED
(Normal: Green, Error: Red, Power Off: Led Off)

Dimension ※scale:NS (mm)



Specifications

MODEL	NAH-SB21FIR
Image Device	1/2.9" SONY 2M CMOS
Total Pixels	2001(H) x 1121(V) approx. 2.24M pixels
Effective Pixels	1985(V) x 1105(V) approx. 2.19M pixels
Resolution	1080P@30/25fps
S/N Ratio	More than 52dB(AGC OFF)
Min.Illumination	0.0 Lux @ (IR ON)
Video Output	AHD / TVI
Electronic Shutter	NTSC : 1/30~1/60,000sec, PAL : 1/25~1/50,000sec
Lens Type	3.6mm Fixed Lens 2.8mm Fixed Lens (Option)
Lens	DC, MANUAL
INDOOR EXP	OFF/MODE1/MOD2/MODE3/MODE4/MODE5
Exposure	SHUTTER, AGC, SENS-UP, BRIGHTNESS, D-WDR, DEFOG
Backlight	OFF//BLC/HSBLC
White Balance	ATW/AWC->SET/INDOOR/OUTDOOR/MANUAL/AWB
Day&Night	AUTO/COLOR/B&W/EXT
NR	3DNR / 2DNR
Special	CAM TITLE, D-DEFFECT, MOTION, PRIVACY, LANGUAGE, DEFECT, RS485
Adjust	SHARPNESS, MONITOR, LSC, VIDEO.OUT
Language	ENG/CHN1/CHN2/GER/FRA/ITA/SPA/POL/RUS/POR/NED/TUR
IR LED	24 IR LED (850nm)
Operating Temp. /Storage Temp.	-10°C~+50°C(14°F~122°F) / -20°C~+60°C(-4°F~140°F)
Humidity	Less than 80% RH
Dimension(mm)	145.1×57.8×75.8